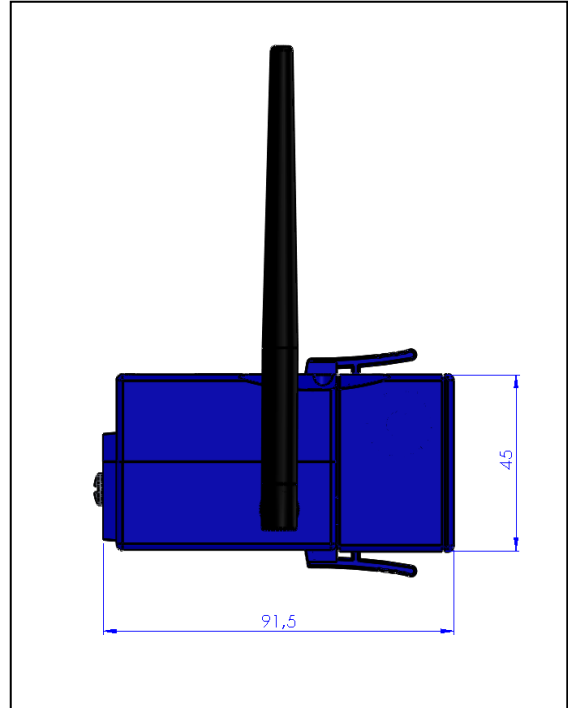
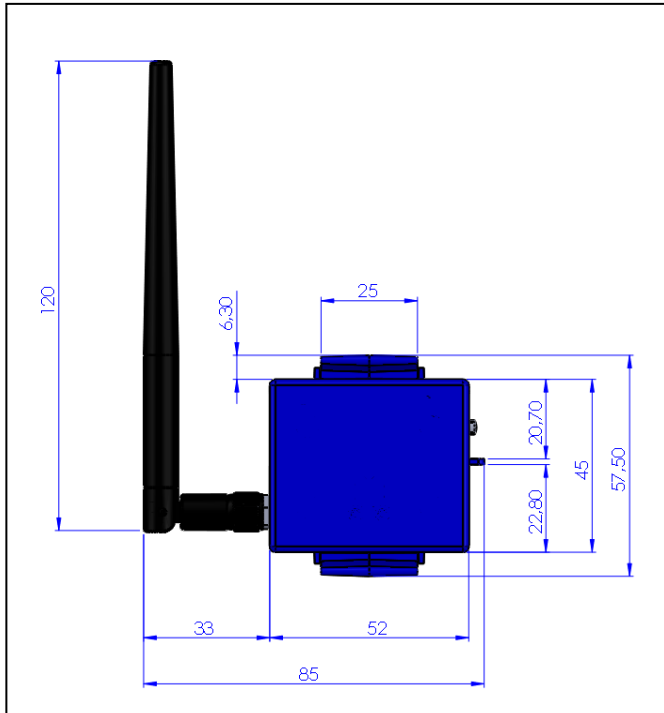




POWER LUBE SENSOR 3,6V / 24VDC

Dimensional drawing (mm):



Technical specifications:

		Power Lube Sensor 3,6V	Power Lube Sensor 24VDC
Accuracy		Grease NLGI 2: 0.50 cm ³ /pulse ±4% Oil ISO-VG 150: 0.60 cm ³ /pulse ±4%	Grease NLGI 2: 0.50 cm ³ /pulse ±4% Oil ISO-VG 150: 0.60 cm ³ /pulse ±4%
Max. pressure	bar	500	500
Operating Temperature	°C	-20°C to +70°C	-20°C to +70°C
Power supply		3,6V Battery Lithium	24VDC external power supply
Battery autonomy		2 Years	/
Lubricant inlet connection	BSP	F 1/8"G	F 1/8"G
Lubricant outlet connection	BSP	F 1/8"G	F 1/8"G
Dimensions without Antenna LxWxH:	mm	91,5x52x45mm	91,5x52x45mm
Ingress protection		IP66	IP66
Housing		PA	PA
Weight	Kg	0.250 kg	0.250 kg
LED Status indication		Green/Red/Blue	Green/Red/Blue
Transmission type *		LoRa	LoRa
Transmission distance **	m	Up to 3.000 m	Up to 3.000 m

* Power Lube Sensor exist in two models of band /channels: 868 MHz or 915 MHz.

In order to support the identification of LoRa channel plans please check your band/channel of your country.

** It depends on-site installation and ease of transmission (For more information please contact your suppliers)